



SCONCE CANDLE HOLDERS

STEP-BY-STEP PLANS

MATERIAL LIST

WOOD:

- 19mm x 98mm: 1600mm

FASTENERS/HARDWARE:

- Screws 4,2mm x 45mm - 4 pcs
- Bradnails 30-50mm - 8 pcs
- Keyhole hangers: <https://amzn.to/3wcCrwz>

FINISH:

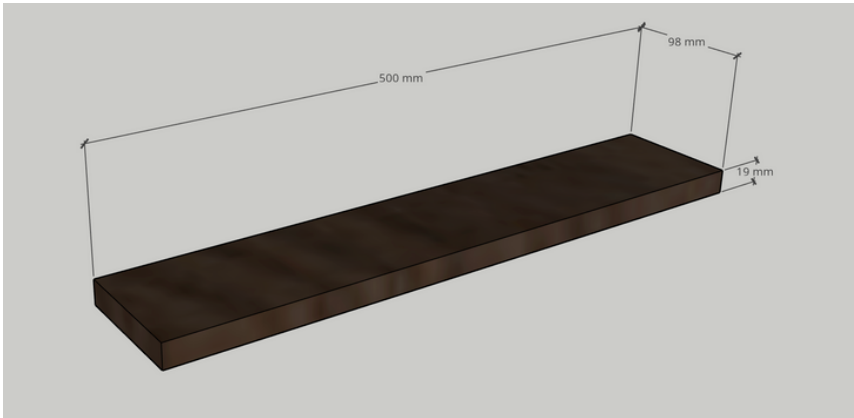
- Osmo Wax Ibenholt:
<https://www.gulvextra.no/osmo-dekorvoks-ibenholt-3161-0-375>

TOOLS I USED:

- DeWalt Miter Saw: <https://amzn.to/46XuN7f>
- DeWalt Drill: <https://amzn.to/3Q9UOdF>
- Mirka Sander: <https://amzn.to/46XvCgl>

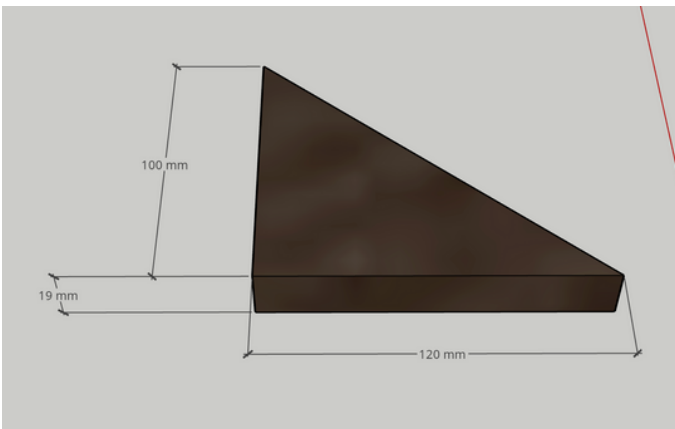
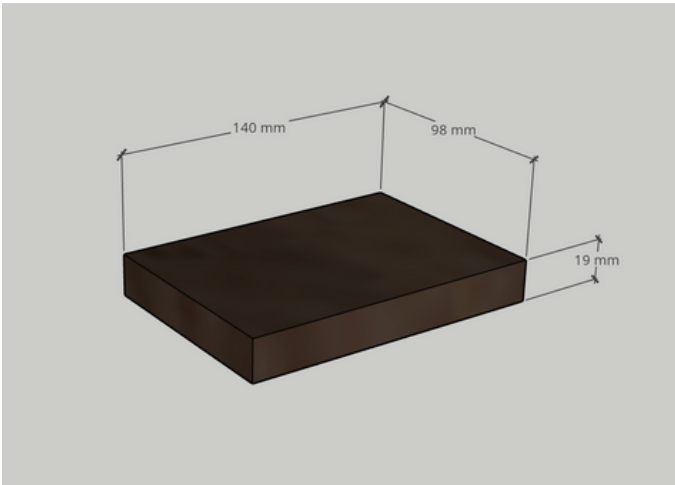
BOARDS

All of the boards are from 19 x 98mm pine.
Quantity of each piece: 1 per candle holder



BOARDS

From 19 x 98mm boards.
Quantity: 1 per candle holder



KEYHOLE HANGERS

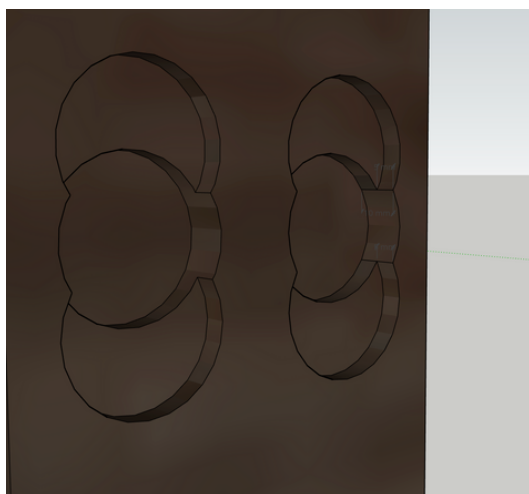
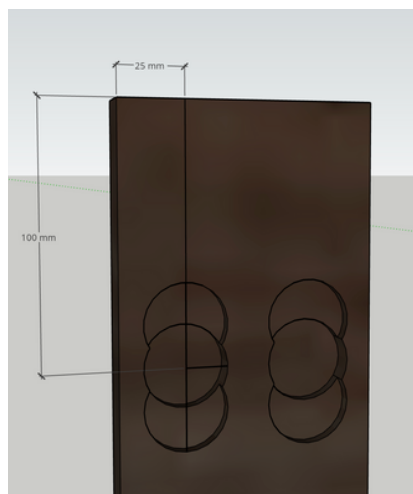
To hang the candle holders on the wall we're gonna use keyhole hangers on the 500mm backboard.

They can be bought here:

<https://amzn.to/3wcCrwz>

For each keyhole hanger we need to drill 3 holes. The middle one is a bit deeper than the two others. The drill bit should be at least 16mm.

The middle one is 10mm deep, the other ones are 5mm.



ASSEMBLE

Fasten the small board to the bigger backboard.
I used 4,2 X 45mm screws for this.

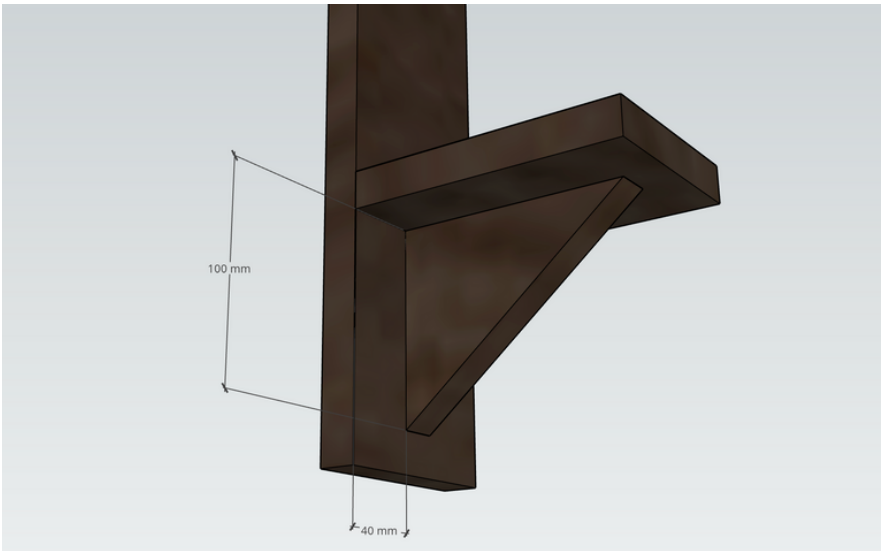


There is 140mm
from the bottom of
the big board to the
top of the small
board.



ASSEMBLE

Fasten the triangular piece using some 30-50mm bradnails from the back and the top.



DONE

The candle holders are installed using a total of 4 screws and the keyhole hangers.



Reach out to are@arebaloni.com
if you have any questions.